

CIE 3000

Ion Deposition Printer L Series

C.I.TOH

The CIE 3000 Ion Deposition Printer establishes new price/performance standards for high speed, high quality, heavy volume printing. And because there are few moving parts, maintenance and per-copy costs fall to new lows.

CIE 3000s are available in 30 or 45 pages-per-minute models, both with a 300 x 300 dots-per-inch print resolution.

Ideally suited for the high volume, high quality printing needs of various applications, the CIE 3000 Ion Deposition Printer relies on a whole new technological concept.

Ion deposition printing involves a simple 4-step process. A significantly simpler and faster process than other non-impact technology. And because the ion deposition printer uses an extremely rugged image cylinder, the printer toner can be aggressively transferred with little drum cleaning and without damage.

This aggressive transfer results in an extremely high toner-to-paper transfer ratio of nearly 100%.

Monthly printing volume with the CIE 3000 is as high as 150,000 pages, with a machine life in excess of five million pages.

Overlay forms and multiple copy capabilities reduce the

load on the host computer and further improve throughput.

Optional features include a job separator and additional automatic paper feeders with 500 and 2,000 sheet capacity.



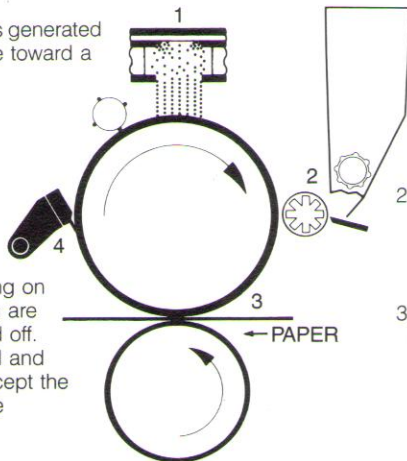
CIE 3000

Ion Deposition Printer L Series

PRINTING	Print Speed	CIE 3000/L2-X: 30 pages per minute (letter size) CIE 3000/L4-X: 45 pages per minute (letter size)
	Print Resolution Print Orientation Print Attributes Standard Font Set	300 x 300 dots per inch Landscape and portrait Auto underscore, bold Courier 12 (portrait), Courier 10 (portrait), Computer Data 14 (landscape), Compressia 20 (landscape, two up)
PAPER HANDLING	Paper Type Paper Sizes Paper Input Paper Output	Cut sheet, 16-24 lbs., standard bond paper Letter, legal 500 sheet feeder, additional 500 sheet feeder (optional), 2000 sheet elevator (optional) 500 sheet stacker - face up, 500 sheet stacker - face down, job separator (optional)
	Host Interface	Centronics® parallel or Dataproducts® parallel
OPERATOR CONTROL PANEL	Operating Keys	On/off line, Reset, Print feed, Blank feed, Self test, Format select, Font select, Copy set (500 maximum), Stacker select, Feeder select, Function enter, Data enter, Key mode, 0 to 9 keys
	Indicator Lamps	Ready, Paper jam, Toner, On-line, Error, Data, Portrait/landscape mode, Upper/lower stacker, Upper/lower feeder, Direct/function mode, Character display (4 digits, seven segment character display)
PHYSICAL	Weight Size	180 lbs. 27" wide, 24" high, 23" deep (without stand)
ELECTRICAL	Voltage and Frequency Range Power Consumption	115V + 10%, -15%; 60HZ ± 1HZ 600 watts, typical (without options)
ENVIRONMENTAL	Acoustic Level Temperature	Less than 58 DBA operating 60° to 95°F operating
MAINTENANCE	Operator preventative maintenance Field service preventative maintenance Field service replace transfix kit Product life Consumable supplies	Approximately every 100,000 pages Approximately every 400,000 pages Approximately every 1,000,000 pages More than 5 million pages CIE C700 toner cartridge (approx. 7500 pages), CIE C701 Ion cartridge (approx. 100,000 pages)

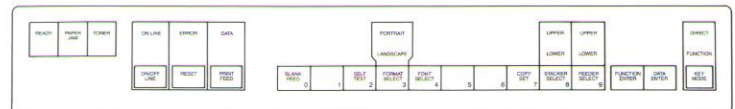
Ion Deposition Printing is a revolutionary concept using a simple, inexpensive four-step process.

1. An electronic image is generated from the ion cartridge toward a rotating drum.



4. Toner traces remaining on drum after transfixing are aggressively scraped off. Charge is neutralized and ready to instantly accept the image for printing the next page.

2. Mono-component toner is attracted to the latent electrostatic image on the drum.
3. Toned image is transfixed to paper through cold, high-pressure fusing for a transfer rate of 99.7%. This high transfer rate is especially important as high volume, complex images are generated.



OPERATOR CONTROL PANEL

C.I.TOH

CIE Systems, Inc., Image Group
A C.Itoh Electronics Company

2515 McCabe Way, P.O. Box 19628, Irvine, CA 92713-9628
or call (714) 660-1800. Call toll free (800) 437-2341.
In California call (800) 458-6279. Telex: 655-438. TWX 910-595-2605.