

LZR-2600 Series Laserprinters

Model 2660/65— the PostScript™ Printers

Dataproducts brings high speed, non-impact page printer technology into a very affordable, table-top model printer ideally suited for the office environment.

The LZR-2660/65 makes high quality page printing practical for thousands of businesses that can now use one printer to provide the speed of a line printer, the print quality of a daisywheel printer and the versatility of a dot matrix printer plus near typeset quality production for forms generation and publication proofing.

An entire family of digital fonts and paper handling accessories are available.

Major features and benefits:

- Full resolution text/graphics on a single page
- Full bit-map memory—no page too complex to print
- Supports PostScript Page Description Programming Language
- High speed—up to 26 pages per minute
- High print quality—partial pixel shadowing
- High print resolution—300 dots per inch
- Domestic and European cutsheet paper sizes up to 11"×17"
- Straight through paper path for reliable performance
- Low cost of ownership
- 2660 supports images up to legal size
- 2665 supports images up to ledger size/A3

Applications:

- Computer Aided Publishing
- CADEM Output
- Typeset Proofing
- Graphic Arts
- Business Graphics
- Sophisticated WP
- Forms Production

Accessories:

- Paper cassettes, up to 500 sheets
- High capacity sheet feeder, up to 1500 sheets
- Face down output trays
- 10-bin sorter/collator
- Pedestal/cabinet



 **Dataproducts**®

Where printers are an obsession.
Not an afterthought.

Controller Specifications:

CPU: 68000/10MHz
Memory:
RAM: 2.0MB (2660)
2.5MB (2665)
ROM: 512 kB
Interface:
Parallel:
Dataproducts
Centronics
Serial:
RS-232C
RS-422 (Apple Talk™)
Software Support:
Command Language: PostScript
Operating Systems: UNIX™
Emulator: Diablo 630
Supports: troff (via TransScript™)

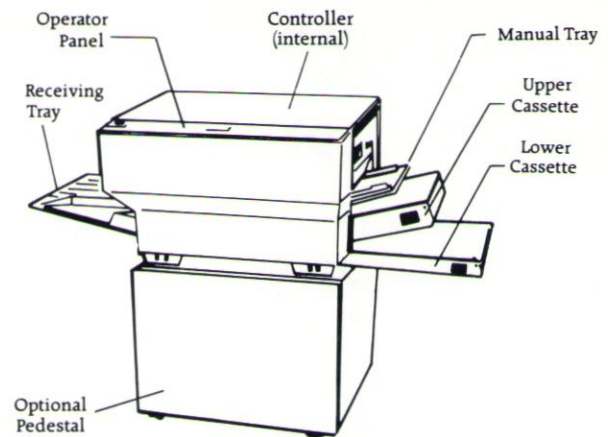
Print Engine Specifications:

Print Technology:
Recording—electrophotography
Imaging—solid state laser
Development Method:
Dry, dual component toner
Print Speed:
Up to 26 pages/min.
(landscape direction)
First print time: 7 seconds
Resolution:
300 dots/inch
(vertical and horizontal)
Diagnostics:
On-line paper path and
functional module testing
Media Feed:
Portrait or landscape

PostScript™ Specifications:

Text:
Line Spacing: Variable
Lines/page: Variable
Character Pitch: Variable
Character Size: Variable
Character Orientation: Variable
Fonts per Page: Unlimited
Fonts:
Loading: 13 resident, others
downloadable
Graphics:
Full bit-mapped images
Logos and special characters
LZR-2660—Provides 8½"×11"
output
LZR-2665—Provides 11"×17"
output or double buffering of
8½"×11" output to improve
publication speed

Media Type:
Paper Cassettes:
Letter (U.S.)—8.5"×11.0"
(216mm×279mm)
Letter (U.S.)—11.0"×8.5"
(279mm×216mm)
Legal—8.5"×14.0"
(216mm×355mm)
Ledger—11.0"×17.0"
(279mm×432mm)
A3, A4, A5, B4, B5, also
available
Media Weight:
Paper:
From cassettes—16-21 lbs.
Manual feeder—16-34 lbs.
Labels:
3M Type 699 or equivalent
Transparencies:
3M Type 688 or equivalent



Paper Capacity:
Input:
Dual Cassettes
Upper—500 sheets
Lower—250 sheets
Manual feed tray
Optional—1500 sheets
Output:
250 sheets face up
Optional face downs
Optional sorter/collators
Noise Level:
Standby—less than 45 dBA
Operating—less than 55 dBA
Dimensions:
Width: 26.7" (678mm)
Depth: 23.4" (595mm)
Height: 16.1" (408mm)
Weight:
176 lbs. (80Kg.)

Power Requirements:
115 VAC, 60Hz or
220/240 VAC, 50Hz
Power Consumption:
Standby:
0.5 KVA average,
1.1 KVA max.
Operating:
1.0 KVA average,
1.3 KVA max.
Warm Up Time:
Less than 3 minutes
Environment:
Humidity:
15%-80% R.H.
(non-condensing)
Operating Temperature:
50°F-86°F
(10°C-30°C)

UNIX is a trademark of AT&T.
Apple Talk is a trademark of Apple Computer Corp.
PostScript and TransScript are trademarks of Adobe Systems Inc.

All specifications subject to change
without notice.

Locations

For more information call (800) 258-1386

United States Marketing

California
(714) 752-7411/Telex: 68-5601
(818) 887-8365/Telex: 67-4734
(408) 946-0630/Telex: 35-7407
Florida
(305) 788-2124
(305) 748-0105
Georgia
(404) 938-9300
Illinois
(312) 397-4277
Massachusetts
(617) 366-7600/Telex: 92-2439

Michigan
(313) 528-1304
Minnesota
(612) 835-2066/Telex: 29-0350
New Hampshire
(603) 888-8810
(603) 886-3510
New York / New Jersey
(609) 971-1100
Pennsylvania
(215) 293-1810
Texas
(214) 231-2240/Telex: 73-0249
Virginia
(703) 556-0225

Pacific/Latin American Marketing HQ

Woodland Hills, California
(818) 887-8851/Telex: 67-4734
European Marketing
Headquarters
Egham, England
Egham 44-784-31161/Telex: 298562
European Sales Offices
England
44-734-884777/Telex: 849227
West Germany
49-06103-3960/Telex: 416344
France
336-9207791/Telex: 690929
Italy
39-23452211/Telex: 331837

Austria
43-222-753452/Telex: 135669
European Manufacturing
Dublin 5, Ireland
1-474 855/Telex: 85225183
Printer Supplies
Chatsworth, California
(818) 887-8335/Telex: 65-1498
Military/Government
Marketing
Wallingford, Connecticut
(203) 265-7151/TWX: 710-476-3427

Distributed by:

 **Dataproducts**

6200 Canoga Ave., Woodland Hills, CA 91365 Telephone: (818) 887-8000 Telex: 67-4734

©1985 Dataproducts Corporation. Dataproducts is a registered trademark of Dataproducts Corporation.

LZR-2600 Series Laserprinters

Model 2650/55

Programmable Text/Graphics Laserprinter

Dataproducts brings high speed, non-impact page printer technology into a very affordable, table-top model printer ideally suited for the office environment.

The LZR-2650/55 makes high quality page printing practical for thousands of businesses that can now use one printer to provide the speed of a line printer, the print quality of a daisywheel printer and the versatility of a dot matrix printer.

Printer application programs can be developed on popular UNIX™ systems and cross compiled to run in the laserprinter, making this an ideal printer for value-adders and sophisticated end-users.

An entire family of digital fonts and paper handling accessories are available.

Major features and benefits:

- Full resolution text/graphics on a single page
- Full bit-map memory—no page too complex to print
- High speed—up to 26 pages per minute
- High print quality—partial pixel shadowing
- High print resolution—300 dots per inch
- Domestic and European cutsheet paper sizes up to 11"×17"
- Straight through paper path for reliable performance
- Low cost of ownership
- Supports RIPrint™ (optional)—a popular page composition and printer command language.
- 2650 supports images up to legal size
- 2655 supports images up to ledger size/A3

Applications:

- Computer Aided Publishing
- CADEM Output
- Typeset Proofing
- Graphic Arts
- Business Graphics
- Sophisticated WP
- Form/Text Merge

Accessories:

- Paper cassettes, up to 500 sheets
- High capacity sheet feeder, up to 1500 sheets
- Face down/flipper
- Face down with offset
- Sorter/collators
- Pedestal/cabinet



 **Dataproducts.**

Where printers are an obsession.
Not an afterthought.

Controller Specifications:

CPU: 68000
 Memory:
 RAM: 1.5MB (2650) Letter/Legal
 3.0MB (2655) Letter/Ledger
 ROM: Up to 512 kB
 Interface:
 Parallel:
 Dataproducts
 Centronics
 Serial:
 RS-232C (2)
 Data/Status Port
 Maintenance Port
 Software:
 Emulators: Line Printer (standard)
 Diablo 630 (optional) plus user
 downloadable
 Print language: RIPrint (optional)
 User: graphic applications

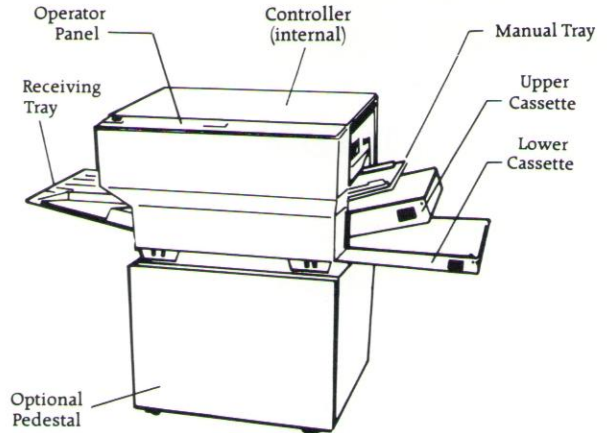
Print Engine Specifications:

Print Technology:
 Recording—electrophotography
 Imaging—solid state laser
 Development Method:
 Dry, dual component toner
 Print Speed:
 Up to 26 pages/min.
 (landscape direction)
 First print time: 7 seconds
 Resolution:
 300 dots/inch
 (vertical and horizontal)
 Diagnostics:
 On-line paper path and
 functional module testing
 Media Feed:
 Portrait or landscape

RIPrint™ Specifications:

Text:
 Line Spacing: Variable
 Character Pitch: Variable
 Character Size: Variable
 Character Rotation: 4 (90°)
 Fonts per Page: Unlimited
 Fonts:
 Loading: 2 resident, others
 downloadable
 Character Set: Up to 255
 characters
 On-line: 1 to 255
 Graphics:
 Pixels up to full bit-mapped
 images
 Logos and special characters
 Half tones, grey scaling
 Vectors, geometric forms

Media Type:
 Paper Cassettes:
 Letter (U.S.)—8.5"×11.0"
 (216mm×279mm)
 Letter (U.S.)—11.0"×8.5"
 (279mm×216mm)
 Legal—8.5"×14.0"
 (216mm×355mm)
 Ledger—11.0"×17.0"
 (279mm×432mm)
 A3, A4, A5, B4, B5, also
 available
 Media Weight:
 Paper:
 From cassettes—16-21 lbs.
 Manual feeder—16-34 lbs.
 Labels:
 3M Type 699 or equivalent
 Transparencies:
 3M Type 688 or equivalent



Paper Capacity:
 Input:
 Dual Cassettes
 Upper—500 sheets
 Lower—250 sheets
 Manual feed tray
 Optional—1500 sheets
 Output:
 250 sheets face up
 Optional face downs
 Optional sorter/collators
 Noise Level:
 Standby—less than 45 dBA
 Operating—less than 55 dBA
 Dimensions:
 Width: 26.7" (678mm)
 Depth: 23.4" (595mm)
 Height: 16.1" (408mm)
 Weight:
 176 lbs. (80Kg.)

Power Requirements:
 115 VAC, 60Hz or
 220/240 VAC, 50Hz
 Power Consumption:
 Standby:
 0.5 KVA average,
 1.1 KVA max.
 Operating:
 1.0 KVA average,
 1.3 KVA max.
 Warm Up Time:
 Less than 3 minutes
 Environment:
 Humidity:
 15%-80% R.H.
 (non-condensing)
 Operating Temperature:
 50°F-86°F
 (10°C-30°C)

UNIX is a trademark of AT&T.
 RIPrint is a trademark of Interleaf Inc.

All specifications subject to change
 without notice.

Locations

For more information call (800) 258-1386

United States Marketing

California
 (714) 752-7411/Telex: 68-5601
 (818) 887-8365/Telex: 67-4734
 (408) 946-0630/Telex: 35-7407
Florida
 (305) 788-2124
 (305) 748-0105
Georgia
 (404) 938-9300
Illinois
 (312) 397-4277
Massachusetts
 (617) 366-7600/Telex: 92-2439

Michigan
 (313) 528-1304
Minnesota
 (612) 835-2066/Telex: 29-0350
New Hampshire
 (603) 888-8810
 (603) 886-3510
New York / New Jersey
 (609) 971-1100
Pennsylvania
 (215) 293-1810
Texas
 (214) 231-2240/Telex: 73-0249
Virginia
 (703) 556-0225

**Pacific/Latin American
 Marketing HQ**
 Woodland Hills, California
 (818) 887-8851/Telex: 67-4734
**European Marketing
 Headquarters**
 Egham, England
 Egham 44-784-31161/Telex: 298562
European Sales Offices
England
 44-734-884777/Telex: 849227
West Germany
 49-06103-3960/Telex: 416344
France
 336-9207791/Telex: 690929
Italy
 39-23452211/Telex: 331837

Austria
 43-222-753452/Telex: 135669
European Manufacturing
 Dublin 5, Ireland
 1-474 855/Telex: 85225183
Printer Supplies
 Chatsworth, California
 (818) 887-8335/Telex: 65-1498
**Military/Government
 Marketing**
 Wallingford, Connecticut
 (203) 265-7151/TWX: 710-476-3427

Distributed by:



6200 Canoga Ave., Woodland Hills, CA 91365 Telephone: (818) 887-8000 Telex: 67-4734

©1985 Dataproducts Corporation. Dataproducts is a registered trademark of Dataproducts Corporation.

0/85

LZR-2600 Series Laserprinters

Model 2630 Daisy Wheel Emulator

Dataproducts brings high speed, non-impact page printer technology into a very affordable, table-top model printer ideally suited for the office environment.

The LZR-2630 makes high quality page printing practical for thousands of businesses that can now use one printer to provide the speed of a line printer, the print quality of a daisywheel printer and the versatility of a dot matrix printer.

An entire family of digital fonts and paper handling accessories are available.

Major features and benefits:

- Diablo 630 emulation facilitates replacement of many 630s by a single printer
- High speed—up to 26 pages per minute
- High print quality—partial pixel shadowing
- High print resolution—300 dots per inch
- Domestic and European cutsheet paper sizes up to 11"×17"
- Straight through paper path for reliable performance
- Large paper capacity
- Low cost of ownership
- Convenient table-top size
- Optional pedestal/cabinet
- Quieter than daisywheel at less than 55 dBA

Applications:

- Data Processing Reports
- Word Processing
- Accounting Spreadsheets
- Label Printing
- Transparencies
- Letters, Memos
- Documentation

Accessories:

- Paper cassettes, up to 500 sheets
- High capacity sheet feeder, up to 1500 sheets
- Face down output trays
- 10-bin sorter/collator
- Pedestal/cabinet



 **Dataproducts**®

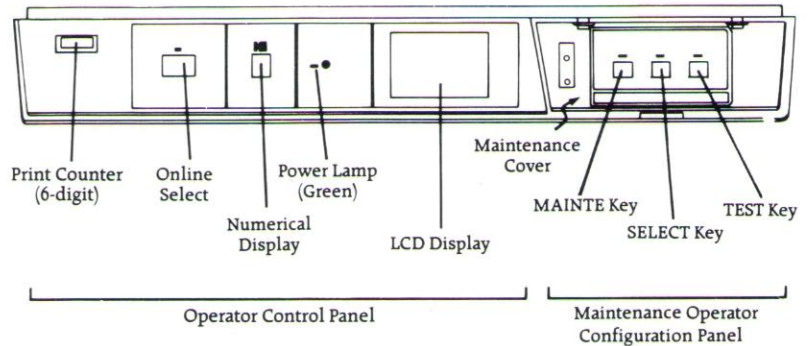
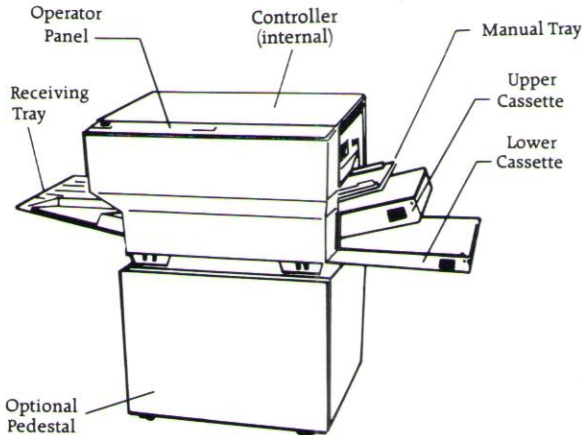
Where printers are an obsession.
Not an afterthought.

Controller Specifications:

Diablo 630 Emulation including Proportional and monospaced fonts. Host downloadable fonts. Host font selection. Multiple fonts—up to 64. Prints landscape or portrait.

Interface: Serial: RS-232C

Parallel: Dpc or Centronics



Print Engine Specifications:

Print Technology:

Recording—electrophotography
Imaging—solid state laser

Development Method:

Dry, dual component toner

Print Speed:

Up to 26 pages/min.

(landscape direction)

21.6 pages/min.

(portrait direction)

First print time: 7 seconds

Resolution:

300 dots/inch

(vertical and horizontal)

Diagnostics:

On-line paper path and functional module testing

Media Feed:

Portrait or landscape

Media Type:

Paper Cassettes:

Letter (U.S.)—8.5"×11.0"

(216mm×279mm)

Letter (U.S.)—11.0"×8.5"

(279mm×216mm)

Letter (European)

8.27"×11.69"

(210mm×297mm)

Legal—8.5"×14.0"

(216mm×356mm)

Ledger—11.0"×17.0"

(279mm×432mm)

A3, A4, A5, B4, B5, also

available

Media Weight:

Paper:

From cassettes—16-21 lbs.

From manual feeder—

16-34 lbs.

Labels:

3M Type 699 or equivalent

Transparencies:

3M Type 688 or equivalent

Paper Capacity:

Input:

Dual Cassettes

Upper—500 sheets

Lower—250 sheets

Manual feed tray

Optional—1500 sheets

Output:

250 sheets face up

Optional face downs

Optional sorter/collators

Noise Level:

Standby—less than 45 dBA

Operating—less than 55 dBA

Dimensions:

Width: 26.7" (678mm)

Depth: 23.4" (595mm)

Height: 16.1" (408mm)

Weight:

176 lbs. (80Kg.)

Power Requirements:

115 VAC, 60Hz or

220/240 VAC, 50Hz

Power Consumption:

Standby:

0.5 KVA average,

1.1 KVA max.

Operating:

1.0 KVA average,

1.3 KVA max.

Warm Up Time:

Less than 3 minutes

Environment:

Humidity:

15%-80% R.H.

(non-condensing)

Operating Temperature:

50°F-86°F

(10°C-30°C)

All specifications subject to change without notice.

Locations

For more information call (800) 258-1386

United States Marketing

California

(714) 752-7411/Telex: 68-5601

(818) 887-8365/Telex: 67-4734

(408) 946-0630/Telex: 35-7407

Florida

(305) 788-2124

(305) 748-0105

Georgia

(404) 938-9300

Illinois

(312) 397-4277

Massachusetts

(617) 366-7600/Telex: 92-2439

Michigan

(313) 528-1304

Minnesota

(612) 835-2066/Telex: 29-0350

New Hampshire

(603) 888-8810

(603) 886-3510

New York / New Jersey

(609) 971-1100

Pennsylvania

(215) 293-1810

Texas

(214) 231-2240/Telex: 73-0249

Virginia

(703) 556-0225

Pacific/Latin American

Marketing HQ

Woodland Hills, California

(818) 887-8851/Telex: 67-4734

European Marketing

Headquarters

Egham, England

Egham 44-784-31161/Telex: 298562

European Sales Offices

England

44-734-884777/Telex: 849227

West Germany

49-06103-3960/Telex: 416344

France

336-9207791/Telex: 690929

Italy

39-23452211/Telex: 331837

Austria

43-222-753452/Telex: 135669

European Manufacturing

Dublin 5, Ireland

1-474 855/Telex: 85225183

Printer Supplies

Chatsworth, California

(818) 887-8335/Telex: 65-1498

Military/Government

Marketing

Wallingford, Connecticut

(203) 265-7151/TWX: 710-476-3427

Distributed by:



6200 Canoga Ave., Woodland Hills, CA 91365 Telephone: (818) 887-8000 Telex: 67-4734

LZR-2600 Series Laserprinters

Accessories

Dataproducts offers a full line of accessories designed to enhance the LZR-2600 product line.

The Dataproducts LZR-2600 accessories allow the user to tailor the printer to the requirements of a particular application and to optimize printer productivity.

Backed by Dataproducts commitment to quality, the accessory line is an important element of the LZR-2600 family.

10 Bin Sorter/Collator

Provides 10 collator bins of output with a capacity of 30 sheets for each bin; also provides one non-sort main bin with 200 sheet capacity. Documents can be automatically collated under host control.

Face Down Stacker With Offset

Provides the ability to easily separate printed output by offsetting repetitive stacks of documents.

Face Down Stacker/ Flipper

Eliminates the need to recollate documents by flipping pages to maintain proper sequence.

Large Capacity Sheet Feeders

Provide 1500 sheet capacity for either short leading or long leading edge paper feed depending on model selected.

Pedestal/Cabinet

Supports printer and provides convenient storage for toner, developer, paper and cassettes.

Cassette Sheet Feeders

250 and 500 sheet paper feeders facilitate smooth paper handling and are easily refilled. Can be configured for either short leading or long leading edge operation.



 **Dataproducts**®

Where printers are an obsession.
Not an afterthought.

Paper Cassettes:

LZR-PC-100X

250 Sheet Capacity

LLE (Long Leading Edge)

Letter—8½"×11" (216mm×279mm)

A4—8.27"×11.69" (210mm×297mm)

B5—5.93"×9.89" (176mm×250mm)

SLE (Short Leading Edge)

Letter—8½"×11" (216mm×279mm)

A4—8.27"×11.69" (210mm×297mm)

B5—5.93"×9.89" (176mm×250mm)

Legal—8½"×14" (216mm×355mm)

B4—9.84"×13.90" (250mm×353mm)

Ledger—11"×17" (279mm×432mm)

A3—11.69"×16.54"

(297mm×420mm)

Statement—5½"×8½"

(140mm×216mm)

A5—5.38"×8.27" (137mm×210mm)

500 Sheet Capacity

LLE (Long Leading Edge)

Letter—8½"×11" (216mm×279mm)

A4—8.27"×11.69" (210mm×297mm)

B5—6.93"×9.84" (176mm×250mm)

SLE (Short Leading Edge)

Letter—8½"×11" (216mm×279mm)

A4—8.27"×11.69" (210mm×297mm)

B5—6.93"×9.84" (176mm×250mm)

Legal—8½"×14" (216mm×357mm)

Pedestal/Cabinet:

Dimensions:

Depth: 24.8" (630mm)

Height: 28" (711mm)

Width: 23.5" (598mm)

Storage:

3 Cassettes (500 or 250 sheet capacity)

15 bottles Toner

20 Reams 8½"×11" paper (10,000 sheets)

Facilitates mounting of value-added electronics by providing a 4½" (114mm)×28" (711mm)×23.5" (598mm) area located in the rear of the cabinet, isolated from main storage area and accessed by removing the rear panel.

Large Capacity Sheet Feeder

LZR-SF-1001 (E)

LZR-SF-1002 (E)

Note: (E) Suffix indicates European version—220/240 VAC.

Type:

Add-on Attachment

Paper:

Letter, Legal—SLE (SF-1001)

Letter LLE (SF-1002)

Capacity:

1500 Sheets

Dimensions:

15¾"×19"×11¾"

Weight:

27 lbs.

Power Supply:

120 VAC—60Hz—3A

220/240 VAC—50Hz—1.5A

10 Bin Sorter/Collator

LZR-SC-1001

Type:

Add-on Attachment

Paper:

Letter, Legal, Ledger—SLE

Letter—LLE

A4, B4, A3

Capacity:

30 sheets per sort bin

plus 200 sheets main bin

Dimensions:

17¼"×20"×12"

Weight:

33 lbs.

Power Supply:

120 VAC—60Hz

220/240 VAC—50/60Hz

Face Down Stacker/Flipper

LZR-FD-1002

Type:

Fixed to printer

Paper:

Letter, Legal, Ledger—SLE

Letter—LLE

A4, B4, A3

Capacity:

250 sheets

Dimensions:

Approximately 17"×19½"×8½"

Weight:

11 lbs.

Power Supply:

None

Mechanical Attachment

Face Down Stacker With Offset

LZR-FD-1003

Type:

Fixed to printer

Paper:

Letter, Legal, Ledger—SLE

Letter—LLE

A4, B4, A3

Capacity:

500 sheets

Dimensions:

Approximately 20"×20"×8"

Weight:

22 lbs.

Power Supply:

26.5 VAC—50/60Hz—3A

Supplied from Printer

All specifications subject to change without notice.

Locations

For more information call (800) 258-1386

United States Marketing

California

(714) 752-7411/Telex: 68-5601

(818) 887-8365/Telex: 67-4734

(408) 946-0630/Telex: 35-7407

Florida

(305) 788-2124

(305) 748-0105

Georgia

(404) 938-9300

Illinois

(312) 397-4277

Massachusetts

(617) 366-7600/Telex: 92-2439

Michigan

(313) 528-1304

Minnesota

(612) 835-2066/Telex: 29-0350

New Hampshire

(603) 888-8810

(603) 886-3510

New York / New Jersey

(609) 971-1100

Pennsylvania

(215) 293-1810

Texas

(214) 231-2240/Telex: 73-0249

Virginia

(703) 556-0225

Pacific/Latin American Marketing HQ

Woodland Hills, California

(818) 887-8851/Telex: 67-4734

European Marketing Headquarters

Egham, England

Egham 44-784-31161/Telex: 298562

European Sales Offices

England

44-734-884777/Telex: 849227

West Germany

49-06103-3960/Telex: 416344

France

336-9207791/Telex: 690929

Italy

39-23452211/Telex: 331837

Austria

43-222-753452/Telex: 135669

European Manufacturing

Dublin 5, Ireland

1-474 855/Telex: 85225183

Printer Supplies

Chatsworth, California

(818) 887-8335/Telex: 65-1498

Military/Government Marketing

Wallingford, Connecticut

(203) 265-7151/TWX: 710-476-3427

Distributed by:

 **Dataproducts**

6200 Canoga Ave., Woodland Hills, CA 91365 Telephone: (818) 887-8000 Telex: 67-4734